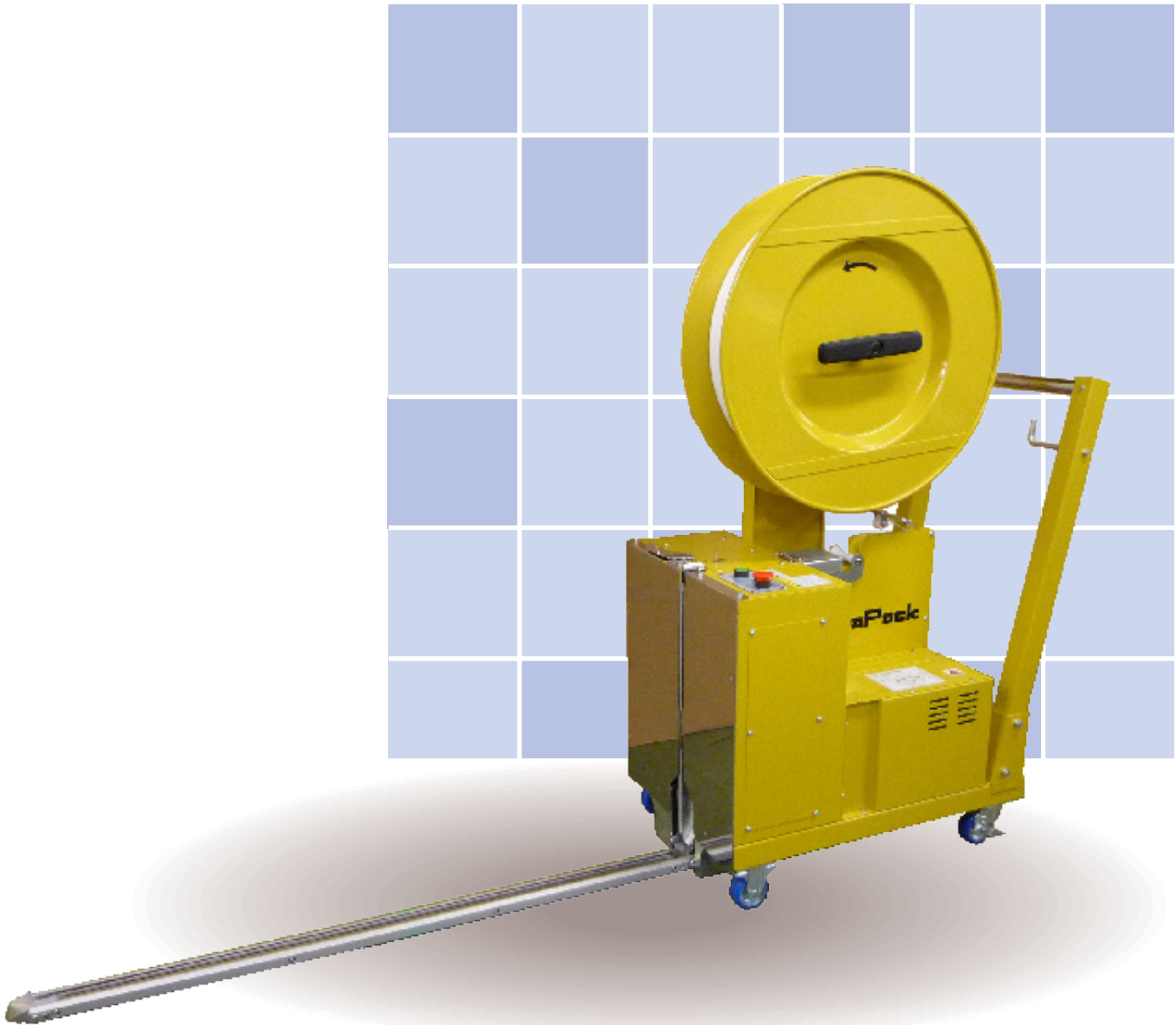


StrapPack

Pallet Strapping Machine



AQ-7PLT

AQ-7PLT



Pallet Strapping Machine

■ PET/ PP Selection

Either PET or polypropylene strap can be used without changing any parts. The Reel Unit adapts to both 16x6 coils (408mm ID x 150mm wide) and 8x8 coils (200mm ID x 200mm wide) by replacing parts. Both embossed and smooth strap can be used.

■ Lower Sealing for Small Pallets

Sealing Point is only 326mm or 13 inches from the floor so that the lower pallets can also be strapped

■ 4-Way Pallet Entry

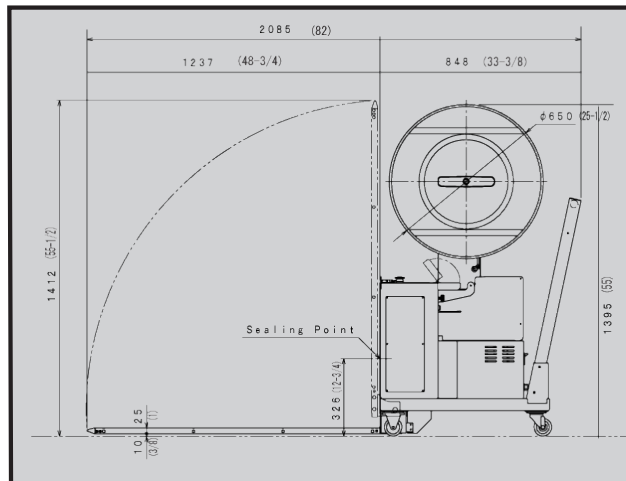
The bayonet height can be adjusted to two different positions (35mm (1.4") and 10mm (0.4in)) from the floor by a simple lever. This allows cross strapping through various sized pallet opening.

■ Portable

Heavy duty metal casters allow for the machine to be quickly installed or moved to any Single Phase supply outlet. Bayonet folds up for easy and safe storage.

■ Variable Tension

Wide range of tension is available to the operator by use of a single tension dial. Tension capability is up to 120kg (264 lbs).



■ Standard Specifications

Dimension	Width	2085mm (883 when bayonette is folded)	82 in.(34-3/4 when bayonette is folded)
	Height	1395 mm (1412 when bayonette is folded)	55 in.(55-1/2 when bayonette is folded)
	Depth	506 mm	20 in.
	Weight	approx 130kg	approx 286 lbs
Bayonet Height		10, 35 mm	3/8, 1-1/4 in
Package Size	Height	390 mm - free	15 in. -free
Joint / Strap/ Coil		heat seal / embossed and smooth PP, PET ID 200 X OD 450 X W 200 mm or ID 400 X OD 600 X W 150mm	heat seal / embossed and smooth PP, PET ID 8 X OD 18 X W 8 in. or ID 16 X OD 24 X W6 in.
Strap Width/Thickness		9, 12, 15.5 mm (3/8, 1/2, 5/8 in.) up to 0.7mm or 0.027" thick	
Strap Tension		Max 1180N (120kgf) (264lbs)	
Power Supply		100, 110, 120, 200, 220, 230 ,240 V	1 Phase 50 / 60 Hz 0.65 KVA

Dimensions and specifications are subject to change without notice.
Modification rights reserved.

© 2016 Strapack Corporation

DISTRIBUTED BY:

STRAPACK CORPORATION

2-1-19 Hinode Kawasaki-ku, Kawasaki-shi, Kanagawa 210-0824, JAPAN
Phone 81-(0)44-288-1180 Fax 81-(0)44-288-1183
(URL) <http://www.strapack.com> (E-mail) info@strapack.com

STRAPACK INC.

33508 Central Avenue, Union City, CA 94587-2097 U.S.A.
Phone 1-510-475-6000 Fax. 1-510-475-6090

STRAPACK, N.V./S.A.

Uilenbaan 200, B-2160 Wommelgem, BELGIUM
Phone 32-(0)3-355-1520 Fax. 32-(0)3-355-1521